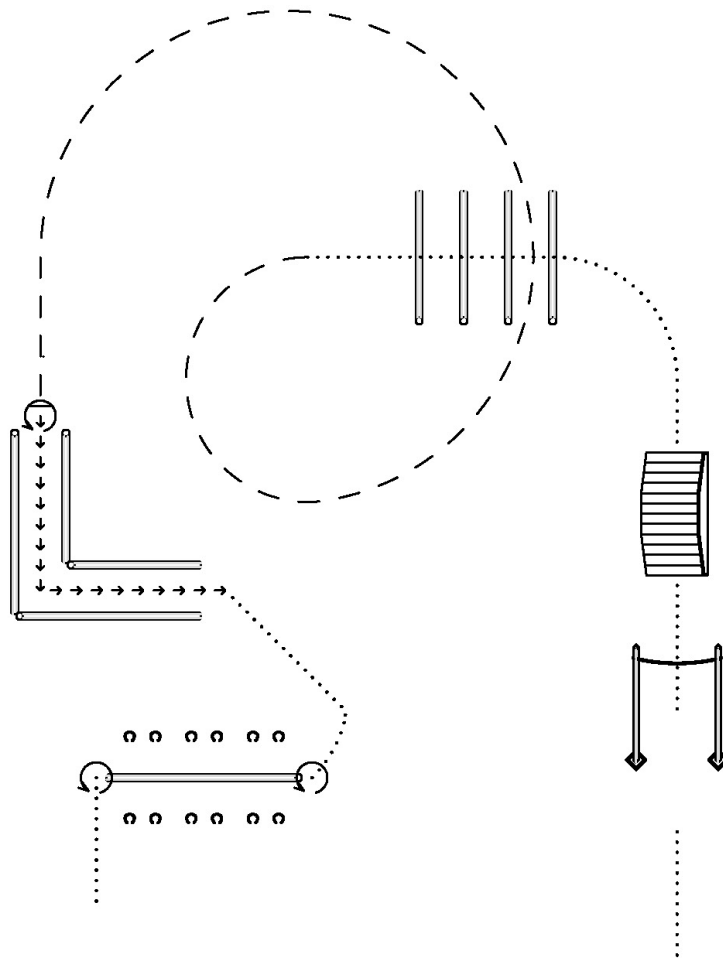


:: TRAIL ::

Class: _____ Show Date: _____ Judge: _____

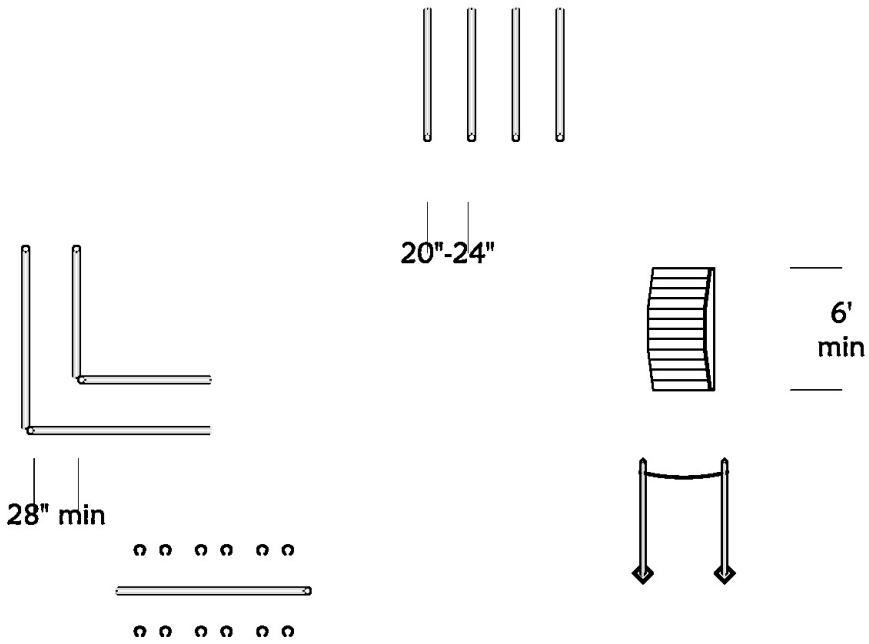


1. Walk to the gate
2. Walk through open gate (Beginner)
Or
Open and close left hand rope gate
3. Walk over the bridge
4. Walk over the poles
5. Jog around and between poles
6. Jog to the "L"
7. Turn 180° and back through the L
8. Walk to the pole
9. Side pass the pole to the left
10. Walk to exit

.....	WALK
-----	JOG
—————	EXTENDED JOG
—————	LOPE
—X—	CHANGE OF LEAD
←←←←←	BACK
— —	STOP
○→	TURN

:: TRAIL ::

Class: _____ Show Date: _____ Judge: _____



- | | | |
|---|--|--|
| <ol style="list-style-type: none"> 1. 2. 3. 4. 5. 6. 7. 8. 9. 10. | | <p>..... WALK</p> <p>----- JOG</p> <p>_____ EXTENDED JOG</p> <p>_____ LOPE</p> <p>—X— CHANGE OF LEAD</p> <p>←←←←← BACK</p> <p>—T— STOP</p> <p>○ TURN</p> |
|---|--|--|

Course notes:

- Wooden bridge, suggested 36 inches minimum width and 6 feet minimum length
- Walkover poles to be spaced 20 to 24 inches apart, may be elevated to 12 inches maximum with 22 inch minimum spacing
- Back through obstacles to be placed a minimum of 28 inches apart, may be elevated 24 inches maximum with 30 inch minimum spacing
- Side pass may be elevated to 12 inches maximum